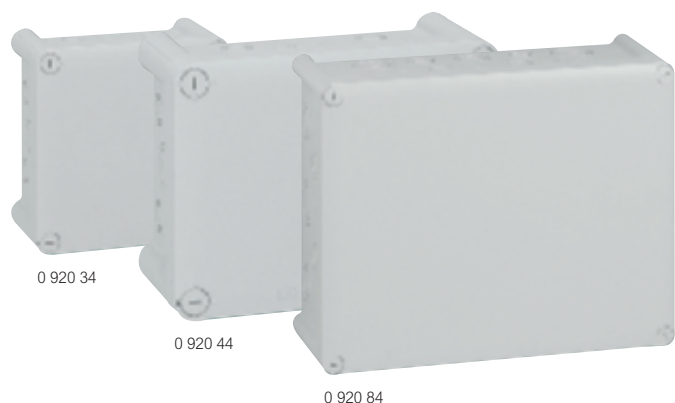


## Plexo™ boxes IP 55 - IK 07

with pre-cut knock-out ISO type cable entries



Dimensions **p. 592**  
 Technical characteristics **p. 593**

Resistance to glow wire test: 750 °C (EN 60695 2-11)

Operating temperature: - 25 °C to + 40 °C

Knock-out entries

Captive cover with clippable tie between box and cover except boxes 310 x 240 and 360 x 270

Cover opens/closes with a 1/4 turn of a regular screwdriver, marking 0 and I

Fixing with level adjustment

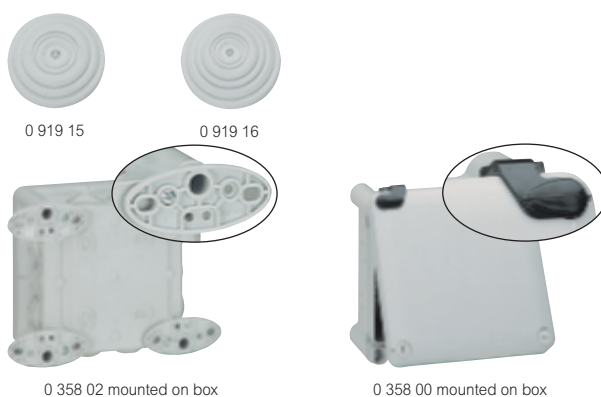
- At 2 or 4 internal points (screw Ø5 mm max.)
- At the four corners out of wiring volume (screw Ø4 mm max.)
- With brackets Cat.No 0 358 02

Class II is ensured by protection caps (supplied) for the attachment screws

Pack	Cat.Nos	Square boxes
10	0 920 34	Grey RAL 7035 <b>130 x 130 x 74 mm</b> 16 knock-out entries for ISO 12/16 4 knock-out entries for ISO 20/25
10	0 920 44	Grey RAL 7035 <b>155 x 110 x 74 mm</b> 16 knock-out entries for ISO 12/16 4 knock-out entries for ISO 20/25
5	0 920 54	<b>180 x 140 x 86 mm</b> 16 knock-out entries for ISO 16/20 4 knock-out entries for ISO 20/25
5	0 920 64	<b>220 x 170 x 86 mm</b> 12 knock-out entries for ISO 16/20 8 knock-out entries for ISO 20/25 4 knock-out entries for ISO 25/32
2	0 920 84	<b>310 x 240 x 124 mm</b> 2 knock-out entries for ISO 16/20 22 knock-out entries for ISO 20/25 6 knock-out entries for ISO 25/32 6 knock-out entries for ISO 32/40
1	0 920 94	<b>360 x 270 x 124 mm</b> 2 knock-out entries for ISO 16/20 18 knock-out entries for ISO 20/25 10 knock-out entries for ISO 25/32 6 knock-out entries for ISO 32/40

## Plexo™ boxes

accessories



Pack	Cat.Nos	Direct entry membrane glands
50	0 919 14	With marking of Ø for tubes and cables Direct entry for tubes (up to 16 mm) and cables <b>Up to Ø20</b> Grey (RAL 7035)
50	0 919 15	<b>Up to Ø25</b> Grey (RAL 7035)
50	0 919 16	<b>Up to Ø32</b> Grey (RAL 7035)
50	0 919 17	<b>Up to Ø40</b> Grey (RAL 7035)
50	0 919 10	<b>Membrane glands</b> Grey (RAL 7035) With marking of Ø for tubes and cables Up to Ø20
50	0 919 11	Up to Ø25
1	0 358 02	<b>Fixing accessories</b> <b>Set of 4 lugs</b> For wall fixing supplied with screws
1	0 358 00	<b>Equipment accessories</b> <b>Set of 2 hinges (RAL 7016)</b> For boxes 130 x 130 mm up to 220 x 170 mm included
1	0 358 01	For boxes 310 x 240 and 360 x 270 mm